

LAROCHELLE®

ISO 9001 : 2000

Since 1956

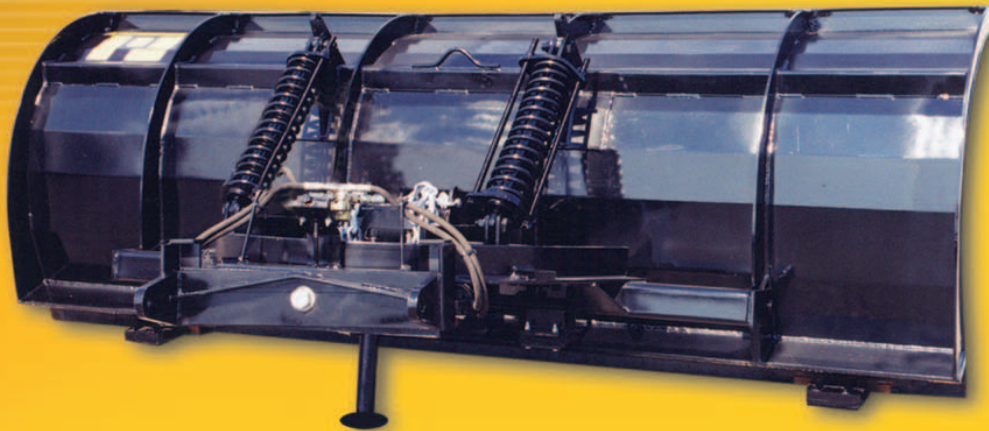
Full trip

POWER REVERSIBLE PLOW



IDEAL FOR HIGHWAYS AND EXPRESSWAYS APPLICATIONS

- For medium and high plowing speed
- Features a straight profile moldboard that responds smoothly to the road surface. When encountering obstacles, the compression spring-arms allow the entire moldboard to trip forward and then return to its original position.
- Less moving parts than a trip edge plow
- Simple & easy maintenance
- Break formed moldboard :
 - Superior to a rolled type moldboard
 - More resistant and durable
 - Improved snow load breakage

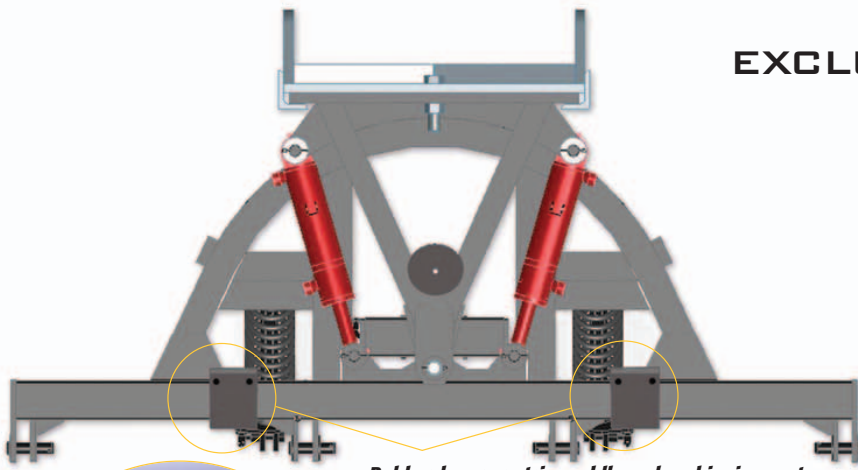


EXPRESSWAY MOLDBOARD

The full trip power reversible plow is also available in "Expressway moldboard" type.

- Features a double taper profile moldboard: allows the operator to plow alternately the left or the right side of the road with great snow discharge (comparable to the one way plow)

EXCLUSIVE FEATURES



Rubber bumpers trip moldboard cushioning system

Power reversing push frame

- Double acting cylinders protected inside the semi-circle assembly and not exposed on each side
- Cushion valve with pre-set pressure release protects the hydraulic cylinders
- Reversing angle up to 37°: reduces plowing effort... providing fuel savings
- Rubber bumpers trip moldboard cushioning system



Compression spring-arms

- Adjustable spring recoil force through threaded rods
- Heavy-duty continuous coil spring
- Allows also plow attack angle adjustment (70°, 75°, 80°)



"Fork" type ribs connection

- Prevents top of moldboard weldment failures
- Better distribution of plowing stresses
- Allows water drainage

OTHER FEATURES

- 4 connecting points between moldboard and push frame
- Backer angle 6" X 4" X 5/8"
- 2 moldboard shoes
- Parking stand

OPTIONS

- Polymer moldboard liner
- Rubber deflector
- Carbide blade and shoes
- Curb shoes
- Screw adjustable push frame shoes

MODEL	LENGTH	HEIGHT	THICKNESS	CUTTING EDGE	WIDTH OF PATH CLEARED AT 37°	APPROX. WEIGHT
LRC1038FT	10' 0"	38"	10 GA	1/2" x 8" x 120"	8' 0"	2055 lbs
LRC1138FT	11' 0"	38"	10 GA	1/2" x 8" x 132"	8' 9"	2120 lbs
LRC1142FT	11' 0"	42"	10 GA	1/2" x 8" x 132"	8' 9"	2195 lbs
LRC1242FT	12' 0"	42"	10 GA	1/2" x 8" x 144"	9' 7"	2250 lbs

EXPRESSWAY MOLDBOARD

LRC1136-58DT	11' 0"	36" center 58" ends	10 GA	1/2" x 8" x 132"	8' 9"	2200 lbs
LRC1236-60DT	12' 0"	36" center 60" ends	10 GA	1/2" x 8" x 144"	9' 7"	2300 lbs

* Other models and options available upon request

LAROCHELLE

products are warranted under published warranty. The company reserves the right under its product improvement policy to change construction or design of its product without notice.

LAROCHELLE EQUIPMENT Inc. QUALITY MANAGEMENT SYSTEM IS ISO 9001: 2000 CERTIFIED.



PHIL **LAROCHELLE**
EQUIPMENT INC.

Since 1956

250, 2nd avenue, Quebec, P.Q., Canada, G1L 3A7

Tel. : (418) 522-8222 • Fax : (418) 522-3115

E-mail : phil@larochelle.ca • Internet : www.larochelle.ca

DISTRIBUTOR